

**M12 male receptacle A-cod. front mount F&B**

PP-wires 4X0.34 1m

F&B

Flange male

M12, 4-pole

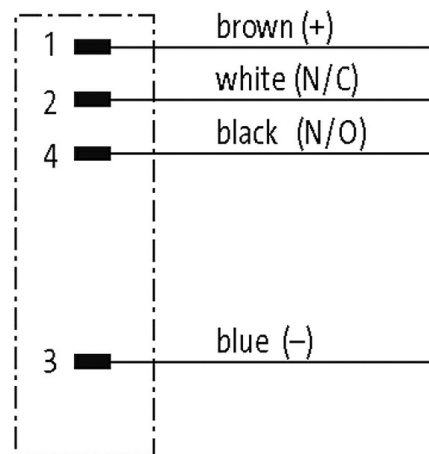
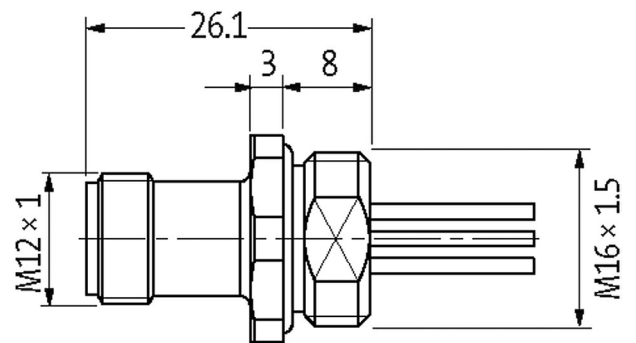
Front mounting

with multi-strand wire

Stainless steel 1.4404 (V4A)

[Link to Product](#)

Illustration



Product may differ from Image

**Approvals****Form**

Form 13501

**General data**

Standards DIN EN 61076-2-101 (M12)

Material (contact) Copper alloy

Material (contact surface)	Au
Material (gasket)	EPDM
Pollution Degree	3
Temperature range	-25...+85 °C

#### Cables

Cable number	971
No./diameter of wires	4 × 0.34 mm <sup>2</sup>
Wire isolation	PUR
Outer Ø	1.3 mm ±5%
Bend radius (fixed)	5 × outer Ø
Temperature range (fixed)	-40...+90 °C
Temperature range (mobile)	-25...+90 °C

#### Technical Data

Operating voltage	max. 250 V AC/DC
Rated surge voltage	2.5 kV
Operating current per contact	max. 4 A
No. of poles	4
Material group	IEC 60664-1, category I
Coding	A-coded
LED display	no
Locking of ports	Screw thread (M12×1 mm) recommended torque 0.6 Nm, self-securing
Compression gland	M12 (SW14)
Protection NEMA	3, 4, 6P (UL 50E)
Material	Stainless steel 1.4404 (V4A)
Locking material	Stainless steel 1.4404 (V4A)
suitable for corrugated tube (internal Ø)	without

#### Commercial data

country of origin	DE
customs tariff number	85444290
EAN	4048879363501
eClass	27279218
Packaging unit	1

#### Sketch

Male



Product may differ from Image